

Compact, light-weight pneumatically-operated drilling units

## SELFEEDER ELECTRIC

# SSE2

Most compact and lightweight unit.  
Ideal for small-diameter drilling.  
The ES2 type has been updated  
by replacing the induction motor with a PM motor.



Energy  
Saving

Global  
Support

Variable  
Rotation

Steel  
 $\phi$  2.5

Aluminum  
 $\phi$  5

### Specifications

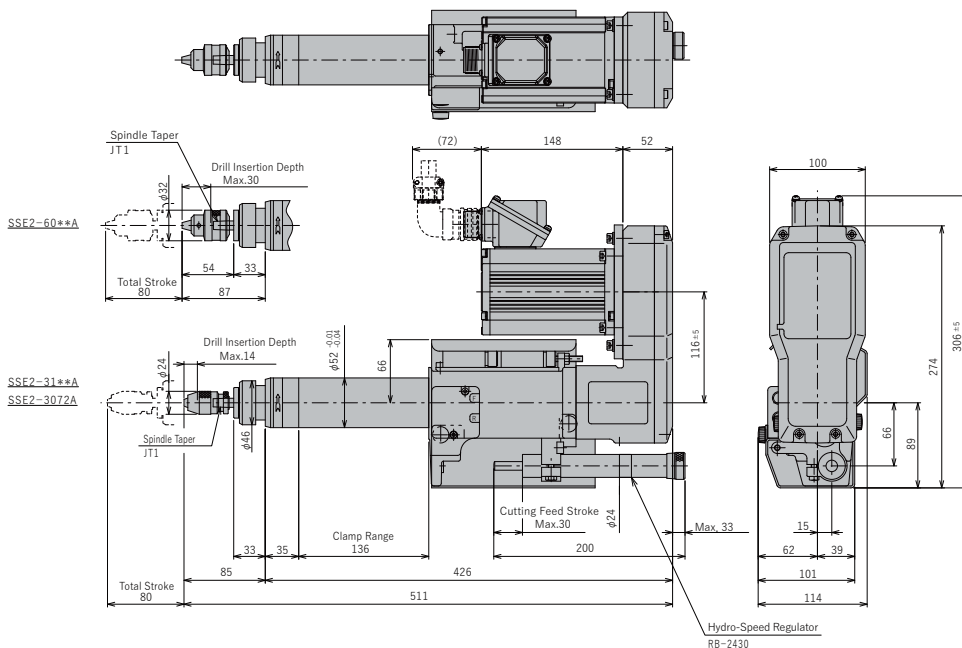
Supply air pressure at 0.5 MPa

Spec.	No-load rotation speed 50~120 Hz	Spindle Torque	Rated torque range	Chucking capacity	Drilling Capacity Per Number of Spindles						Stroke		Motor Specifications			Thrust	Air Consumption	Weight
					1-SP			2-SP			Total stroke	Cutting feed stroke	Rated Power	Rated Rotational Speed	Rated Current			
					AL*	FC*	ST*	AL*	FC*	ST*								
Model	min <sup>-1</sup>	N·m	min <sup>-1</sup>	mm	AL*	FC*	ST*	AL*	FC*	ST*	mm	mm	kW	min <sup>-1</sup>	A	N	L/Stroke	kg
SSE2-3120A	4,980~12,000	0.19	4,980~9,960	3 Keyless Chuck	2.5	1	1	-	-	-	80	0-30	0.2	3000 (100Hz)	1.1	490	2	14
SSE2-3100A	4,290~10,300	0.22	4,290~8,570		3	1	1	-	-	-								
SSE2-3072A	3,000~7,200	0.32	3,000~6,000		3.5	1.5	1.5	-	-	-								
SSE2-6054A	2,270~5,440	0.42	2,270~4,530	6.5	4	2	2	3	1.5	1.5								
SSE2-6036A	1,500~3,600	0.64	1,500~3,000		5	3	2.5	4	2.5	2								

Notes:

- Model selection should be based on the shape of the work, material, cutting characteristics, diameter and material of tools, rotational speed (cutting speed), etc.
- The drilling capacity displayed in the above table is based on values representing a drilling depth of twice the diameter of the drill.
- The RB-2430 comes standard with a Hydro Speed Regulator. A Hydro Speed Regulator is available as an option upon request.  
(Optional Hydro Speed Regulator models are: RB-2460, R-2442A, R-2462A, and R-2482A)
- Make sure to use a collet chuck or spindle nose when the hardness of carbide drills and tool shanks is higher than that of general HSS (high-speed steel) drills.
- Valveless specification is standard. If you require valve block specification (former standard specification), please order valve block ass'y separately. (Replacement to be made by customer)
- AL\*: Aluminium(ADC12) FC\*: Cast iron(FC200) ST\*: Steel(S45C)

### Dimensions (mm)



### About Pneumatic Control Circuit

Please refer to the following QR code for the pneumatic control circuit to control the forward/reverse movement and speed of the Selffeeder.

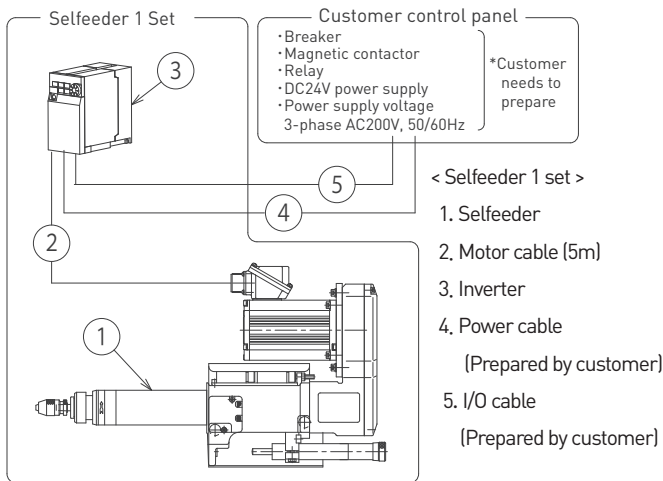
Notes

- Supply clean air of 0.5 to 0.6 MPa to the Selffeeder.
- Air equipment up to the air supply port should be prepared by the customer.
- Use a meter-in flow control valve.
- When using the unit at an angle downward or vertical downward, install a pneumatic control circuit specialized to prevent them from falling.

For more info

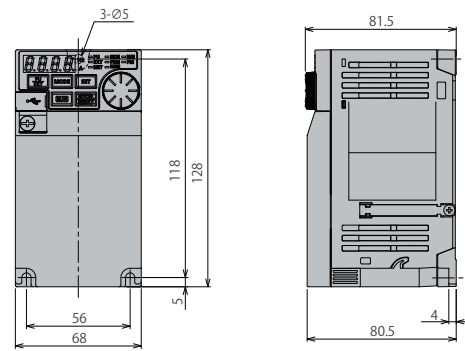


## Configuration diagram



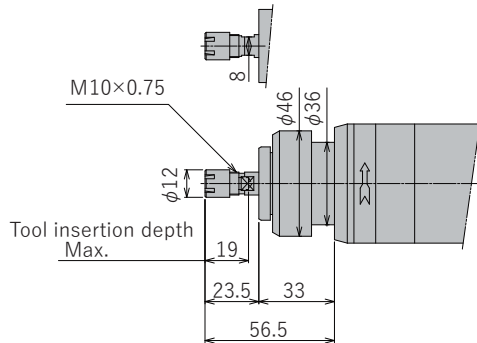
## Inverter

### FR-E820-0.2K



## Tip shape

- Collet chuck / spindle nose (option)
- Model No.: ER8 or equivalent (chucking range  $\phi 0.5$  to  $\phi 5$ )



Note 1: Detailed dimensions of spindle tip are as recommended for REGO-FIX ER collets.  
2: Collet, collet nut, and wrench are not included. Please order separately.

## I/O Signal Specifications

I/O	Signal	Name
Input	STF	Unused
	STR	Spindle ON
	RH	Multi-step spd (1 to 15 spd) Freq set range 50 to 120Hz Can be set in 5Hz increments
	RM	
	RL	
	MRS (REX)	
RES	Reset	
Output	A	Abnormal Output(Relay) Normally-open contact
	B	Abnormal Output(Relay) Normally-closed contact
	RUN	In operation
	FU	Freq detection

## Options

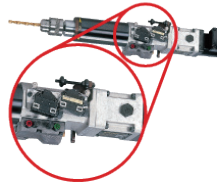
### ■ Hydro-speed regulator

A hydraulic feed speed control unit that can adjust the feed rate of an air cylinder to any desired speed. For details, please refer to our web page.



### ■ Operate Signal Kit

This kit is designed to accurately detect the operation of a Selffeeder and control synchronized operation with other devices. For details, please refer to our web page.



### ■ Multi-spindle head

Various multi-spindle heads are available. For details, please refer to our web page.



For more information about our products, please visit our website. ▶▶



**SUGINO**  
SUPER! TECHNOLOGY

SUGINO MACHINE LIMITED  
www.sugino.com

Olinas Tower Bldg., 8th floor, 4-1-3 Taihei, Sumida-ku,  
Tokyo, 130-0012 JAPAN  
TEL +81-3-5619-5760 FAX +81-3-5619-5765  
✉ export@sugino.com

- Specifications in this catalog are subject to change without prior notice for further improvement.
- When exporting this product overseas, please follow the export control procedures based on Japan's Foreign Exchange and Foreign Trade Law.
- SUGINO, SUGINO, and SELFFEEDER are trademarks or service marks of Sugino Machine Limited in Japan or foreign countries.
- The content of this catalog is as of January 2024.
- Any unauthorized use, copying or reprinting of the contents or part thereof in this catalog is prohibited.