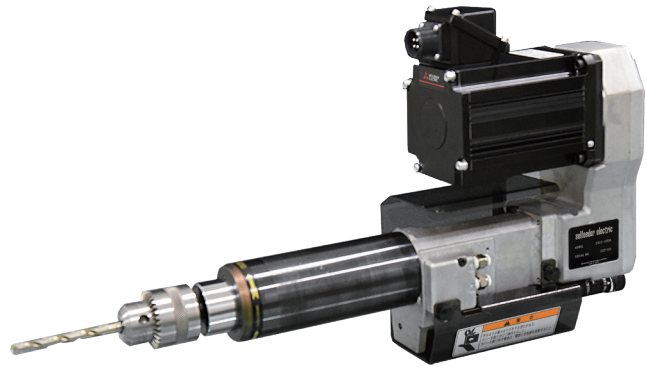


Compact, light-weight pneumatically-operated drilling units

SELFEEDER ELECTRIC

SSE3

Standard type of SSE series.
Ideal for drilling in the high-speed rotation range.
The ES3P type has been updated by replacing the induction motor with a PM motor.



Energy Saving

Global Support

Variable Rotation

Steel
 $\phi 9$

Aluminum
 $\phi 13$

Specifications

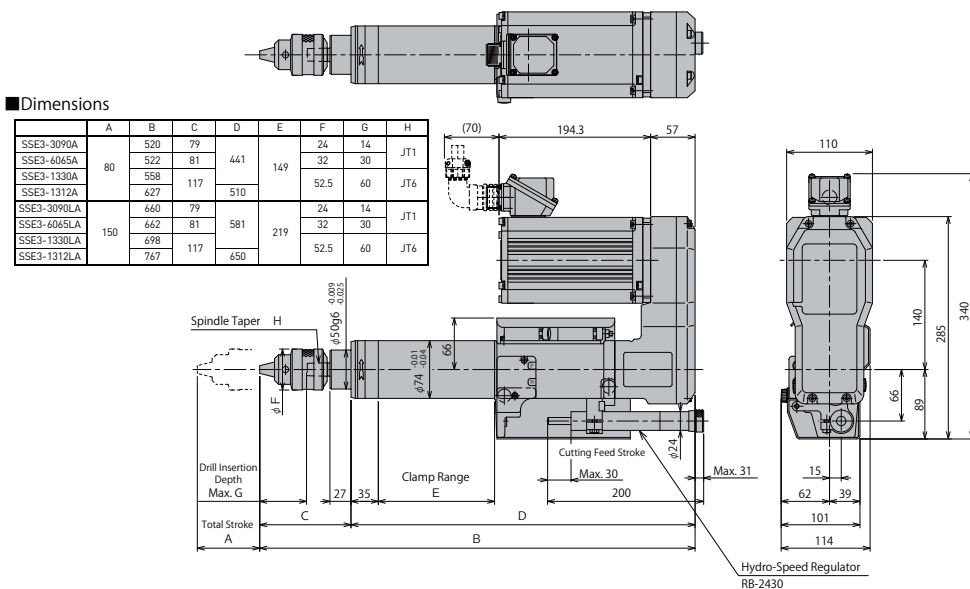
Supply air pressure at 0.5 MPa

Spec.	No-load rotation speed 50~120 Hz	Spindle Torque	Rated torque range	Chucking capacity	Drilling Capacity Per Number of Spindles												Stroke		Motor Specifications				Thrust	Air Consumption	Weight
					1-SP			2-SP			3-SP			4-SP			Total stroke	Cutting feed stroke	Rated Power	Rated Rotational Speed	Rated Current				
Model	min ⁻¹	N·m	min ⁻¹	mm	AL*	FC*	ST*	AL*	FC*	ST*	AL*	FC*	ST*	AL*	FC*	ST*	mm	mm	kW	min ⁻¹	A	N	L/Stroke	kg	
SSE3-3090A	3,750 -9,000	0.96	3,750 -7,500	3 Keyless Chuck	4	1.5	1.5	-	-	-	-	-	-	-	-	-	80	0-30	0.75	3000 (100Hz)	3.3	980	3-6	20	
SSE3-3090LA																								150	23
SSE3-6065A	2,700 -6,480	1.33	2,700 -5,400	6.5	6	3	3	4.5	3	3	4	3	3	-	-	-	80	0-30	0.75	3000 (100Hz)	3.3	980	3-6	20	
SSE3-6065LA																								150	23
SSE3-1330A	1,250 -3,000	2.87	1,250 -2,500	13	9.5	6	5.5	7	5.5	5	6	5	3.5	5	4	2.5	80	0-30	0.75	3000 (100Hz)	3.3	980	3-6	20	
SSE3-1330LA																								150	23
SSE3-1312A [with gearbox]	500 -1,200	7.14	500 -1,000	13	13	10	9	8.5	6.5	5.5	6.5	5	4	5	4	3.5	80	0-30	0.75	3000 (100Hz)	3.3	980	3-6	21	
SSE3-1312LA [with gearbox]																								150	24

Notes:

- Model selection should be based on the shape of the work, material, cutting characteristics, diameter and material of tools, rotational speed (cutting speed), etc.
- The drilling capacity displayed in the above table is based on values representing a drilling depth of twice the diameter of the drill.
- The standard attachment for the Hydro Speed Regulator is RB-2430. Please specify an optional Hydro Speed Regulator if required.
[Optional Hydro Speed Regulator Models: RB-2460, R-2442A, R-2462A, R-2482A]
- Make sure to use a collet chuck or spindle nose when the hardness of carbide drills and tool shanks is higher than that of general HSS (high-speed steel) drills.
- Valveless specification is standard. If you require valve block specification (former standard specification), please order valve block ass'y separately. (Replacement to be made by customer)
- AL* : Aluminium[ADC12] FC* : Cast iron[FC200] ST* : Steel[S45C]

Dimensions (mm)



About Pneumatic Control Circuit

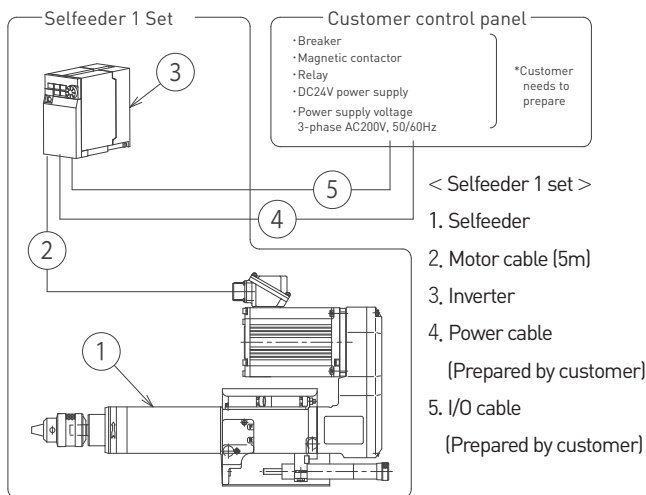
Please refer to the following QR code for the pneumatic control circuit to control the forward/reverse movement and speed of the Selffeeder.

Notes

- Supply clean air of 0.5 to 0.6 MPa to the Selffeeder.
- Air equipment up to the air supply port should be prepared by the customer.
- Use a meter-in flow control valve.
- When using the unit at an angle downward or vertical downward, install a pneumatic control circuit specialized to prevent them from falling.

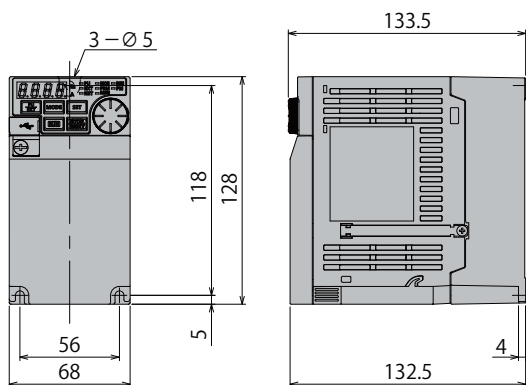
For more info

Configuration diagram



Inverter

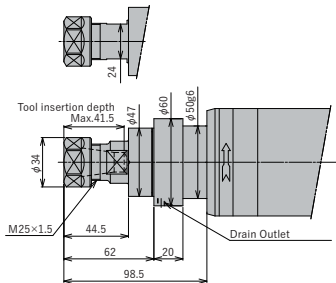
FR-E820-0.75K



Tip shape

■ Collet chuck / spindle nose (option)

Model No.: ER20 or equivalent
(chucking range $\phi 1$ to $\phi 13$)

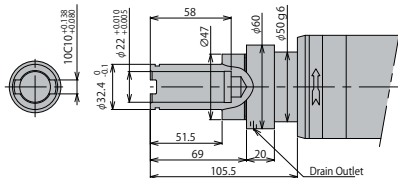


Note:

1. Detailed dimensions of spindle tip are as recommended for REGO-FIX ER collets.
2. Collet, collet nut, and wrench are not included. Please order separately.
3. When installing the Selffeeder <Electric> horizontally, the drain outlet must face downwards.

■ Adjustable Spindle Nose (option)

Model No.: KH-22E



Note:

1. Detailed dimensions of spindle nose are as recommended by NT Tool Co.
2. KH-E type spindle nose is applicable to NT Tool's quick-change stub holders KH-A / KH-E type.
3. Adjustable spindle nose is not applicable for Selffeeder <Electric> with no-load rotation speed exceeding 5,000min⁻¹.
4. When installing the Selffeeder <Electric> horizontally, the drain outlet must face downwards.

I/O Signal Specifications

I/O	Signal	Name
Input	STF	Unused
	STR	Spindle ON
	RH	Multi-step spd (1 to 15 spd) Freq set range 50 to 120Hz Can be set in 5Hz increments
	RM	
	RL	
	MRS (REX)	
RES	Reset	
Output	A	Abnormal Output(Relay) Normally-open contact
	B	Abnormal Output(Relay) Normally-closed contact
	RUN	In operation
	FU	Freq detection

Options

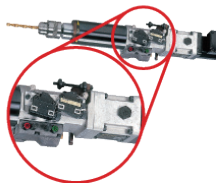
■ Hydro-speed regulator

A hydraulic feed speed control unit that can adjust the feed rate of an air cylinder to any desired speed. For details, please refer to our web page.



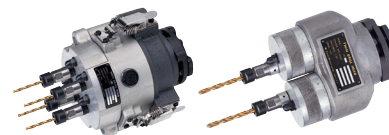
■ Operate Signal Kit

This kit is designed to accurately detect the operation of a Selffeeder and control synchronized operation with other devices. For details, please refer to our web page.



■ Multi-spindle head

Various multi-spindle heads are available. For details, please refer to our web page.



For more information about our products, please visit our website. ▶▶



SUGINO
SUPER! TECHNOLOGY

SUGINO MACHINE LIMITED
www.sugino.com

Olinas Tower Bldg., 8th floor, 4-1-3 Taihei, Sumida-ku,
Tokyo, 130-0012 JAPAN
TEL +81-3-5619-5760 FAX +81-3-5619-5765
✉ export@sugino.com

- Specifications in this catalog are subject to change without prior notice for further improvement.
- When exporting this product overseas, please follow the export control procedures based on Japan's Foreign Exchange and Foreign Trade Law.
- SUGINO, sugino, and SELFFEEDER are trademarks or service marks of Sugino Machine Limited in Japan or foreign countries.
- The content of this catalog is as of January 2024.
- Any unauthorized use, copying or reprinting of the contents or part thereof in this catalog is prohibited.